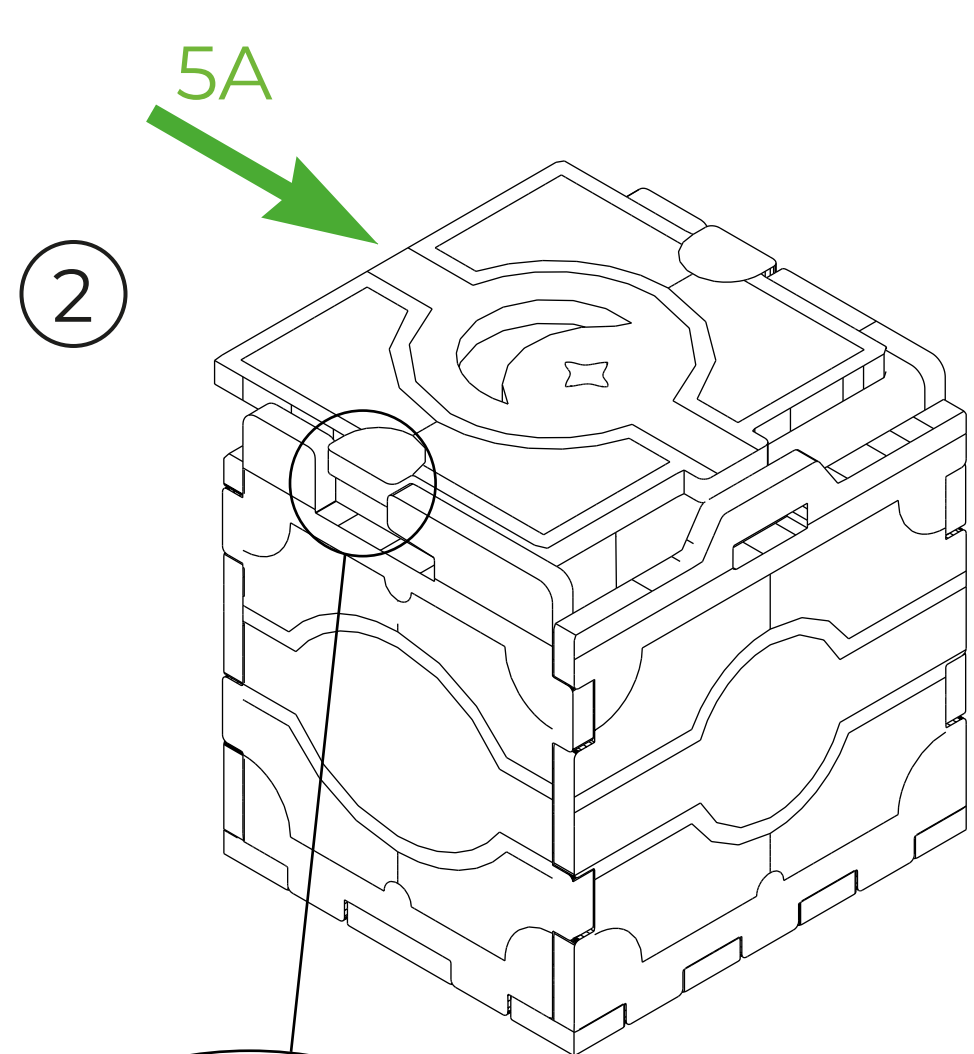
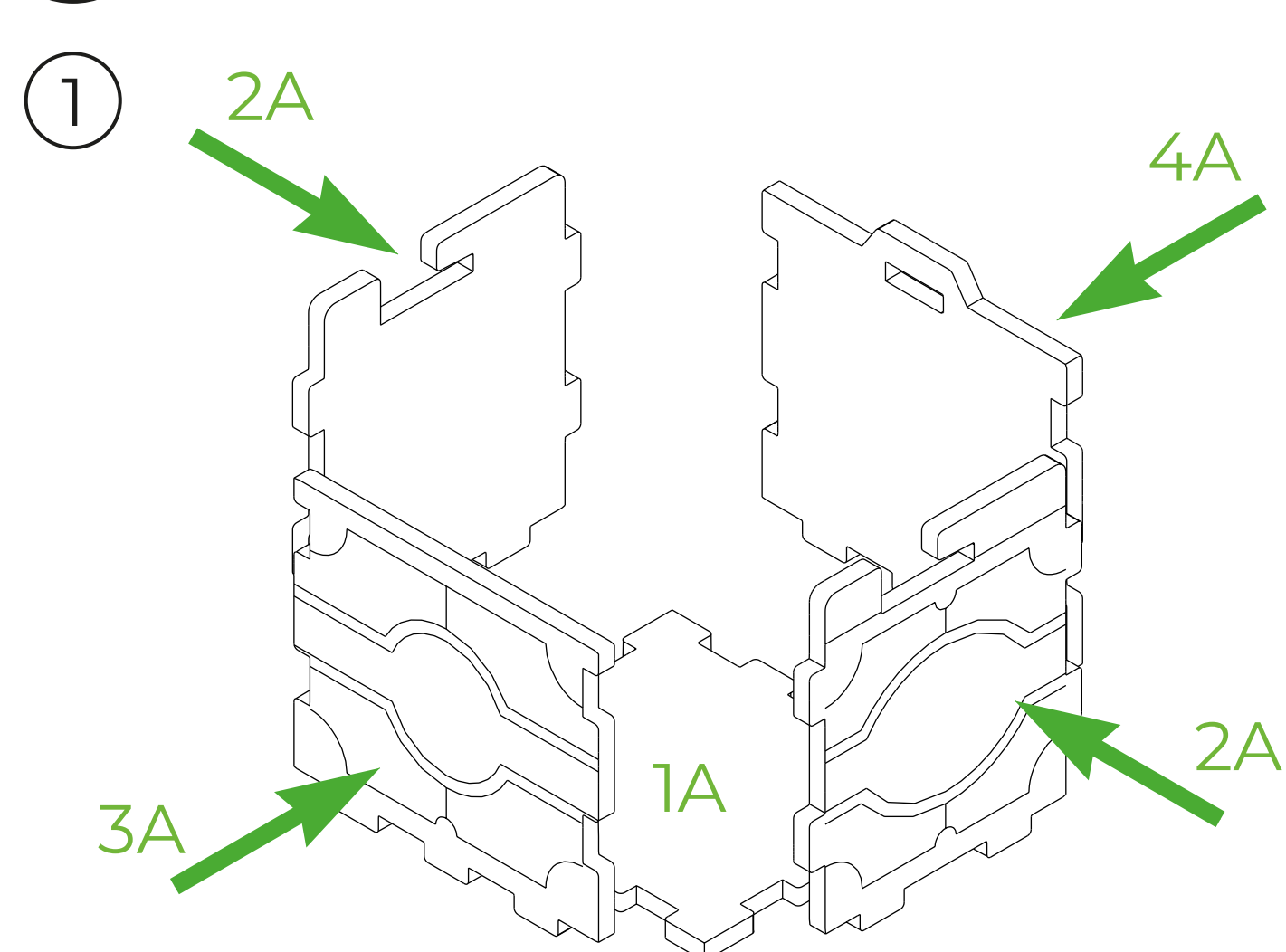


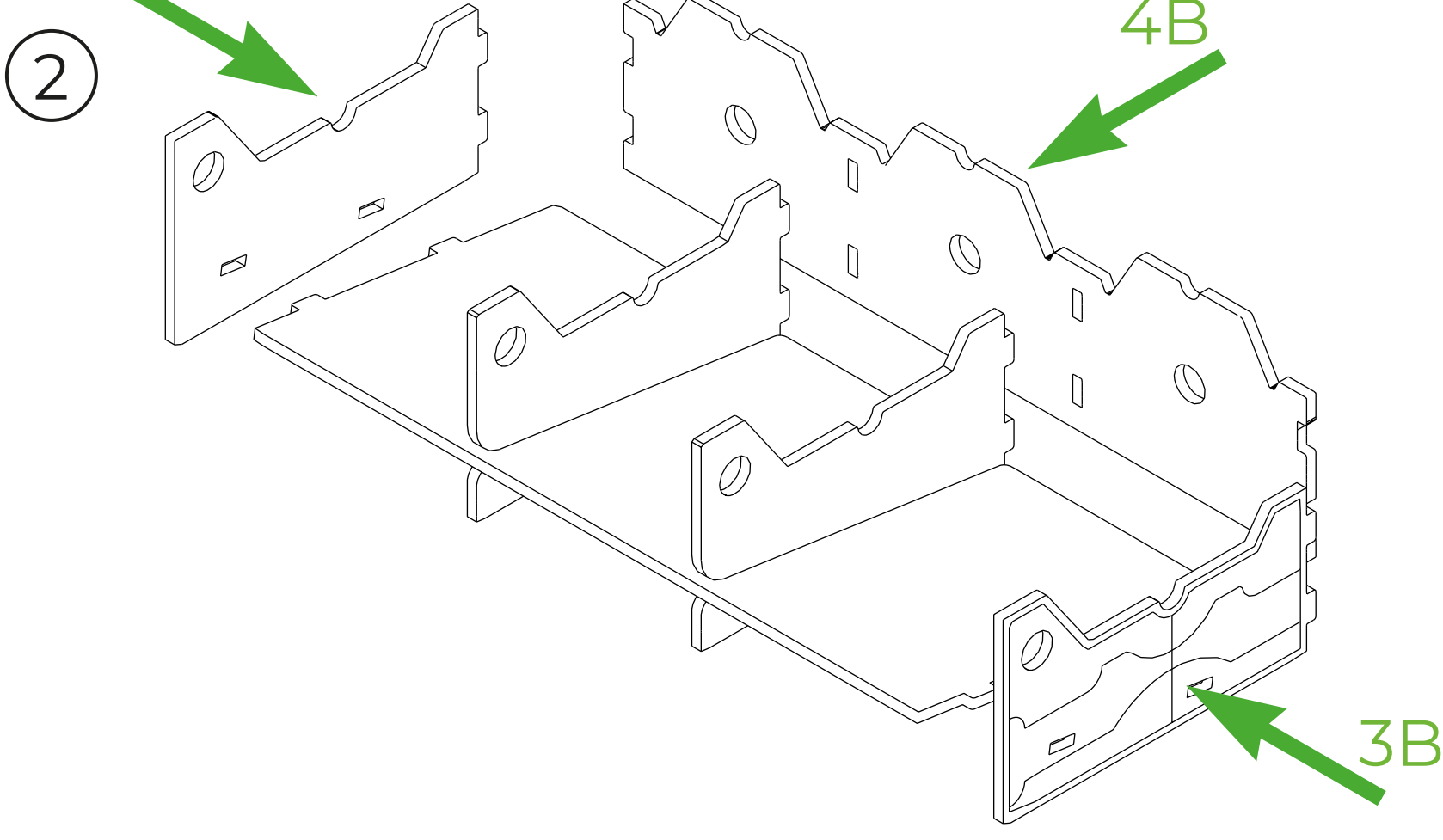
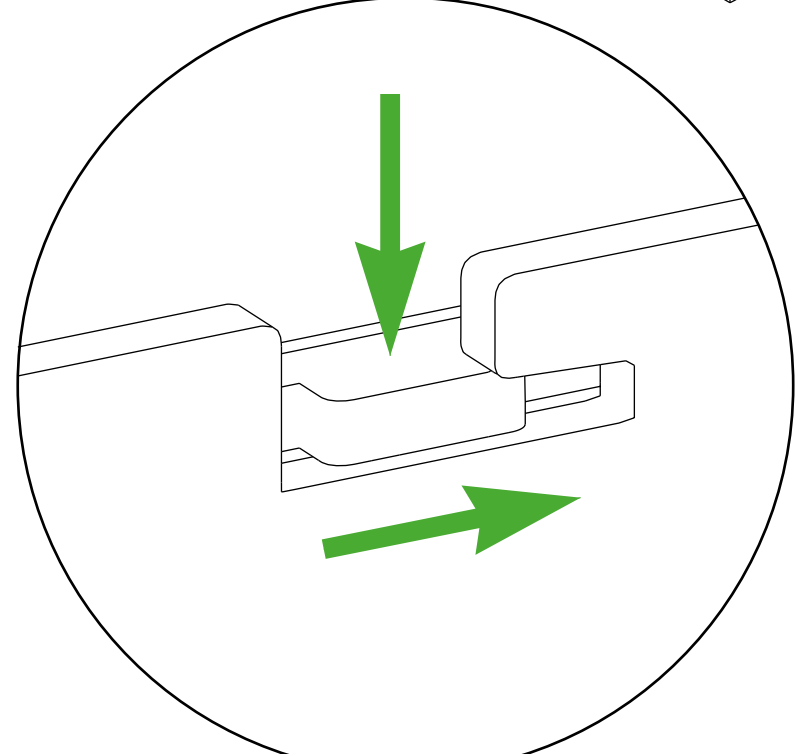
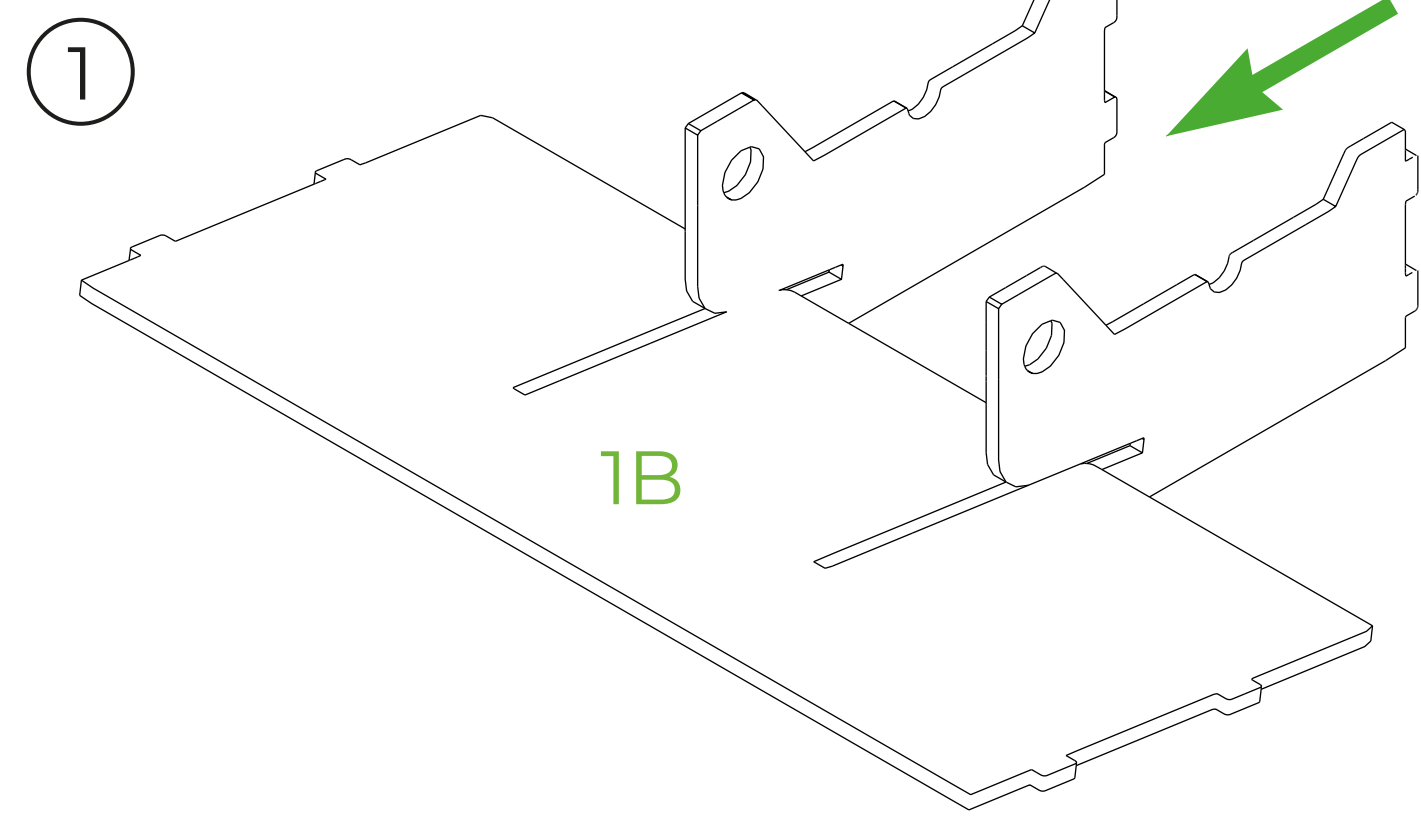
# Dungeons & Dragons: Lords of Waterdeep Organizer



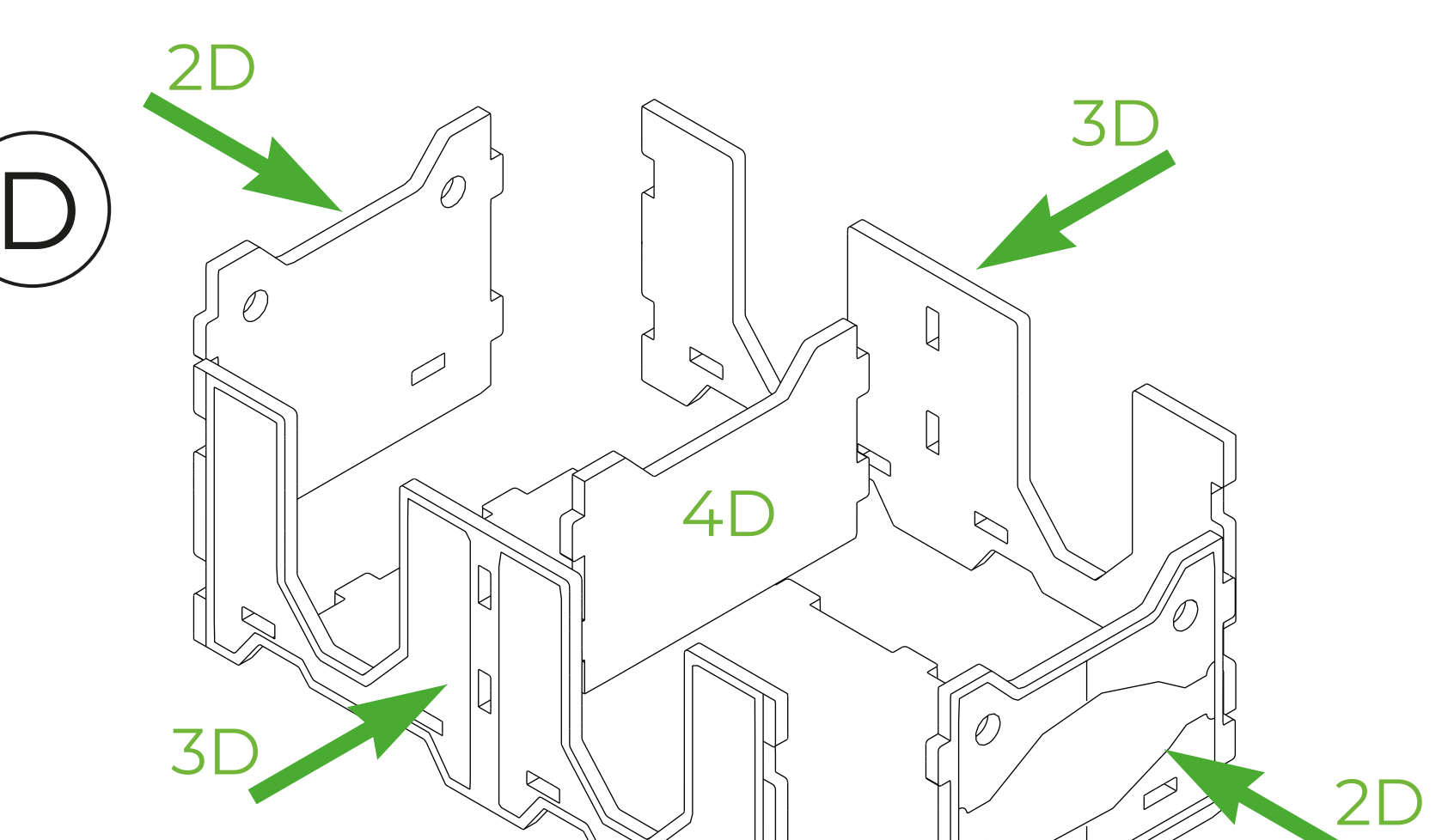
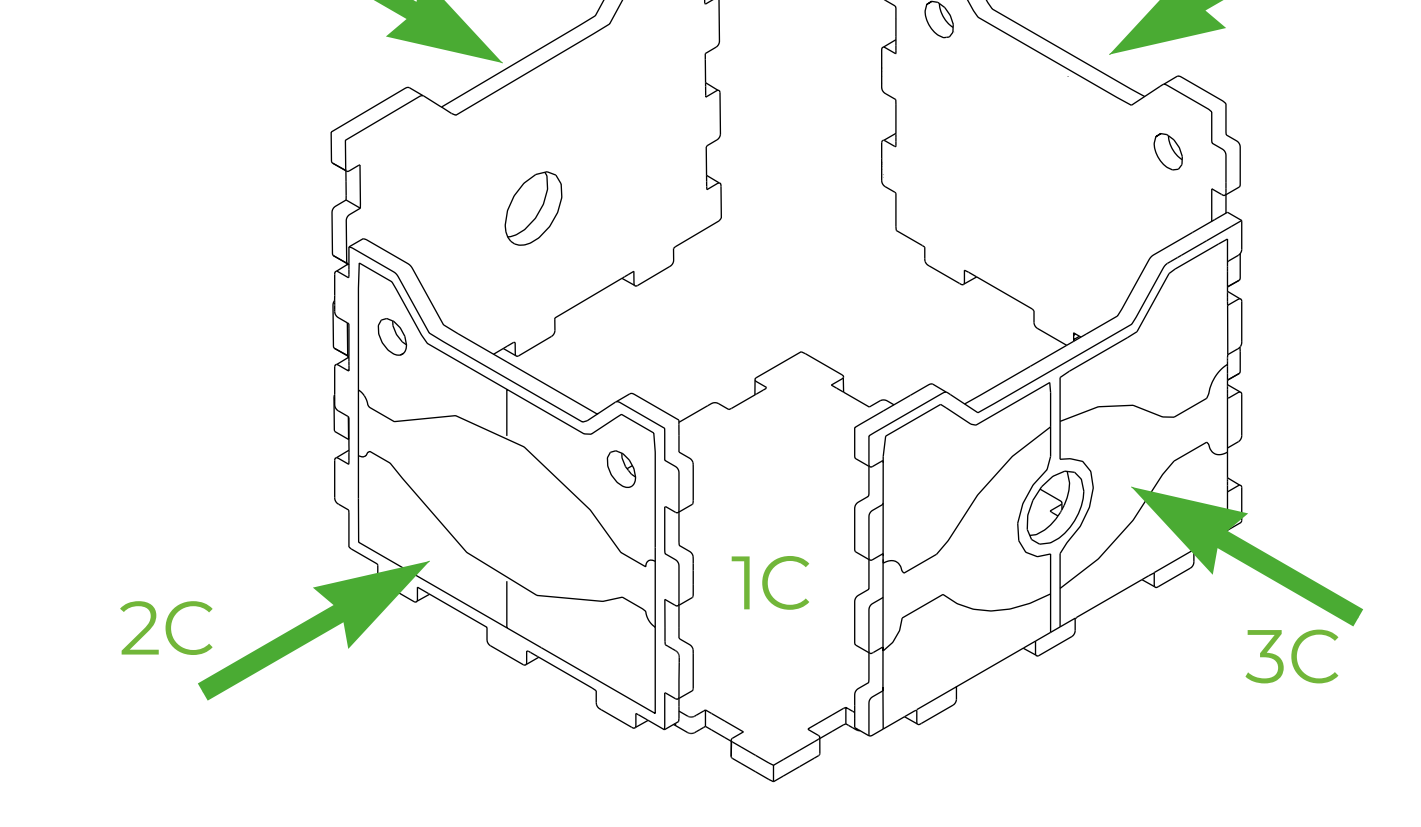
(A)



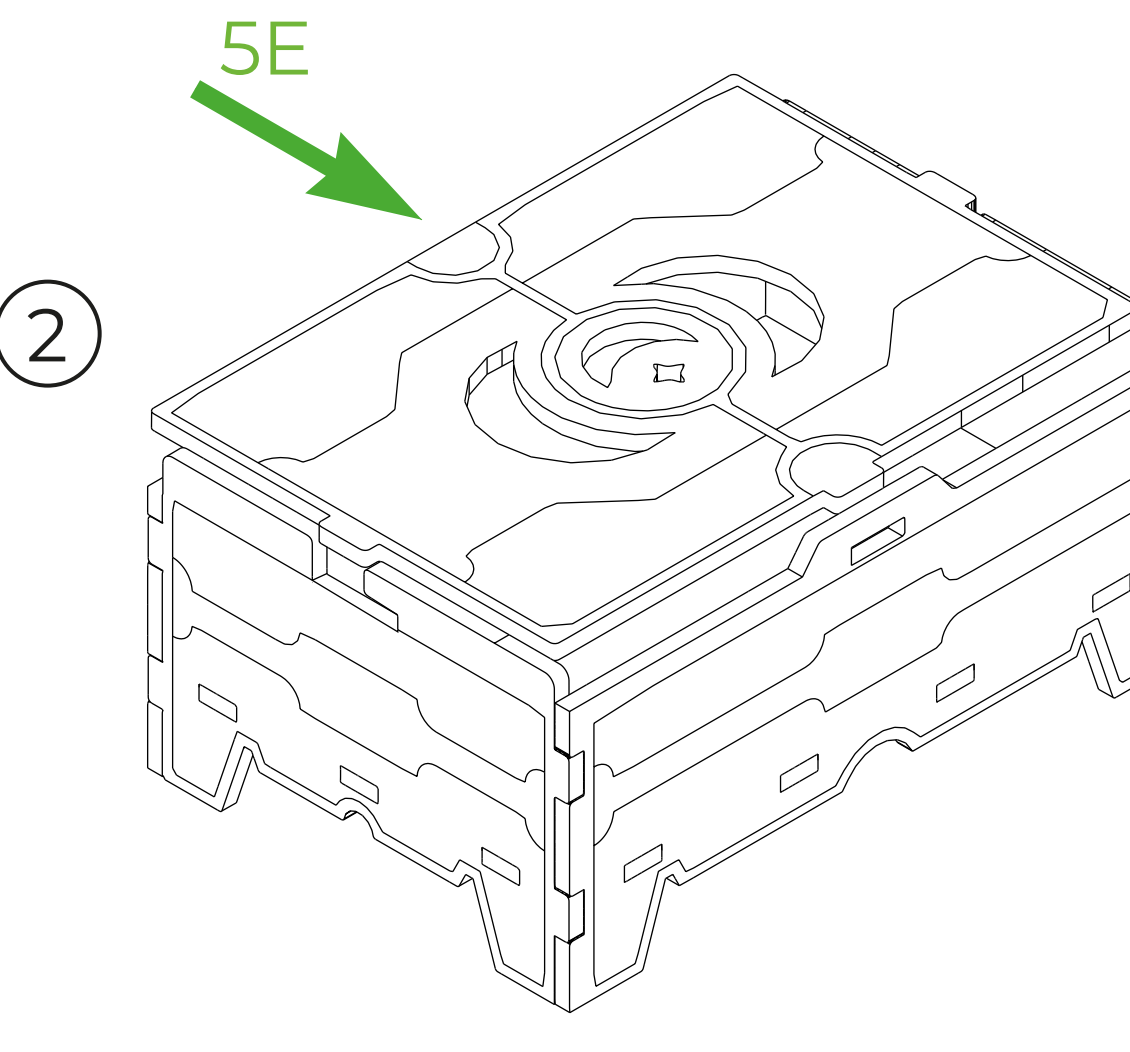
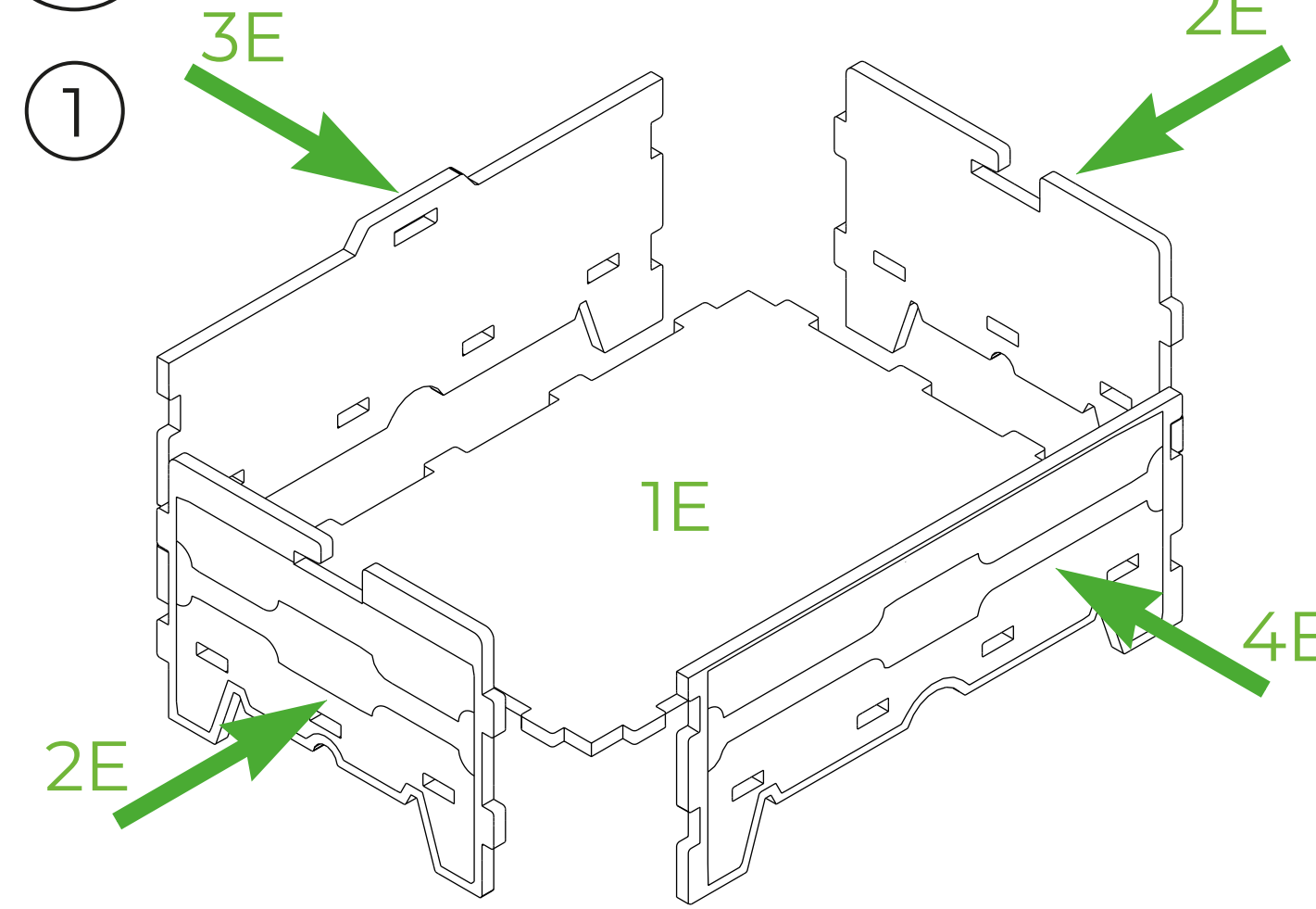
(B)



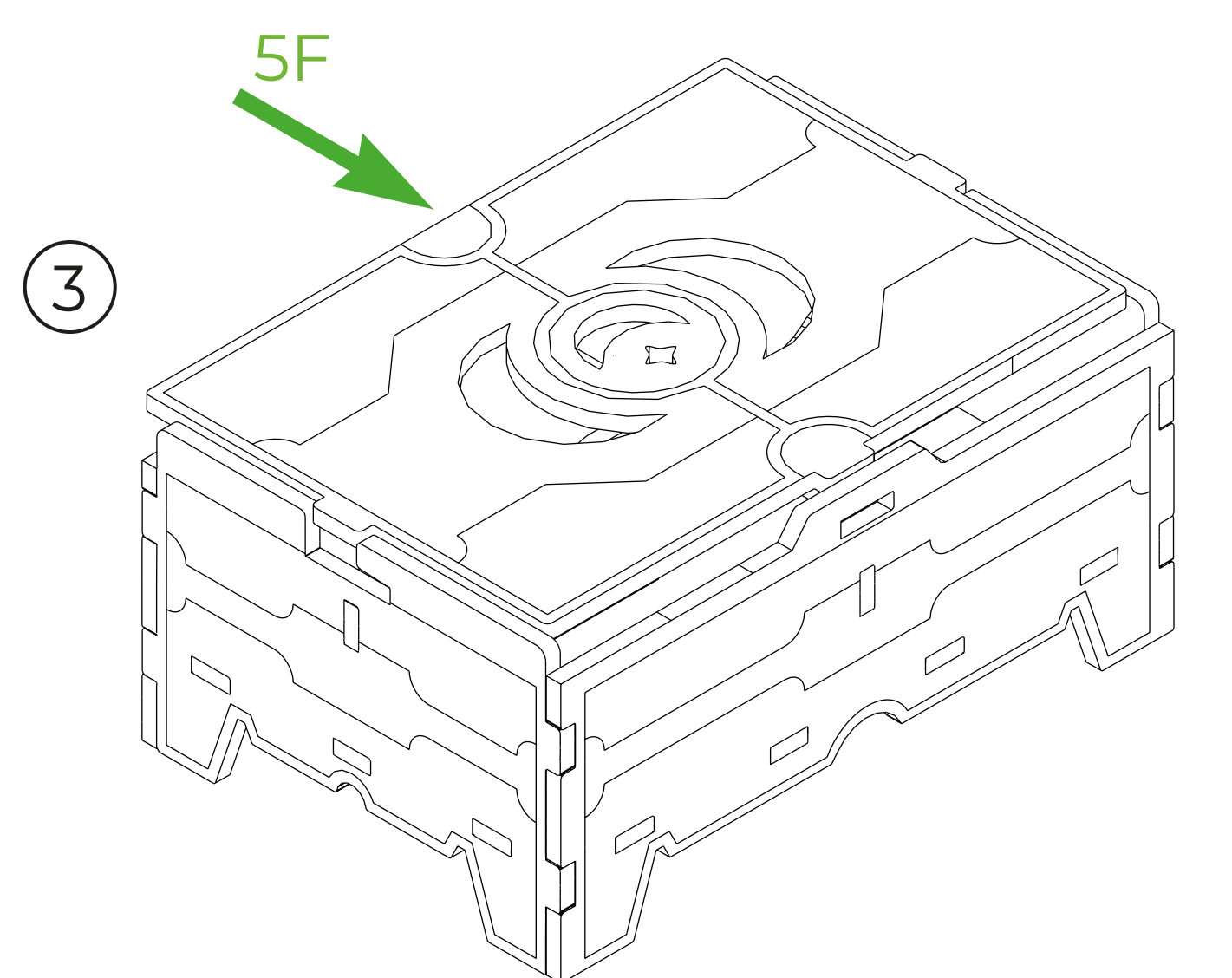
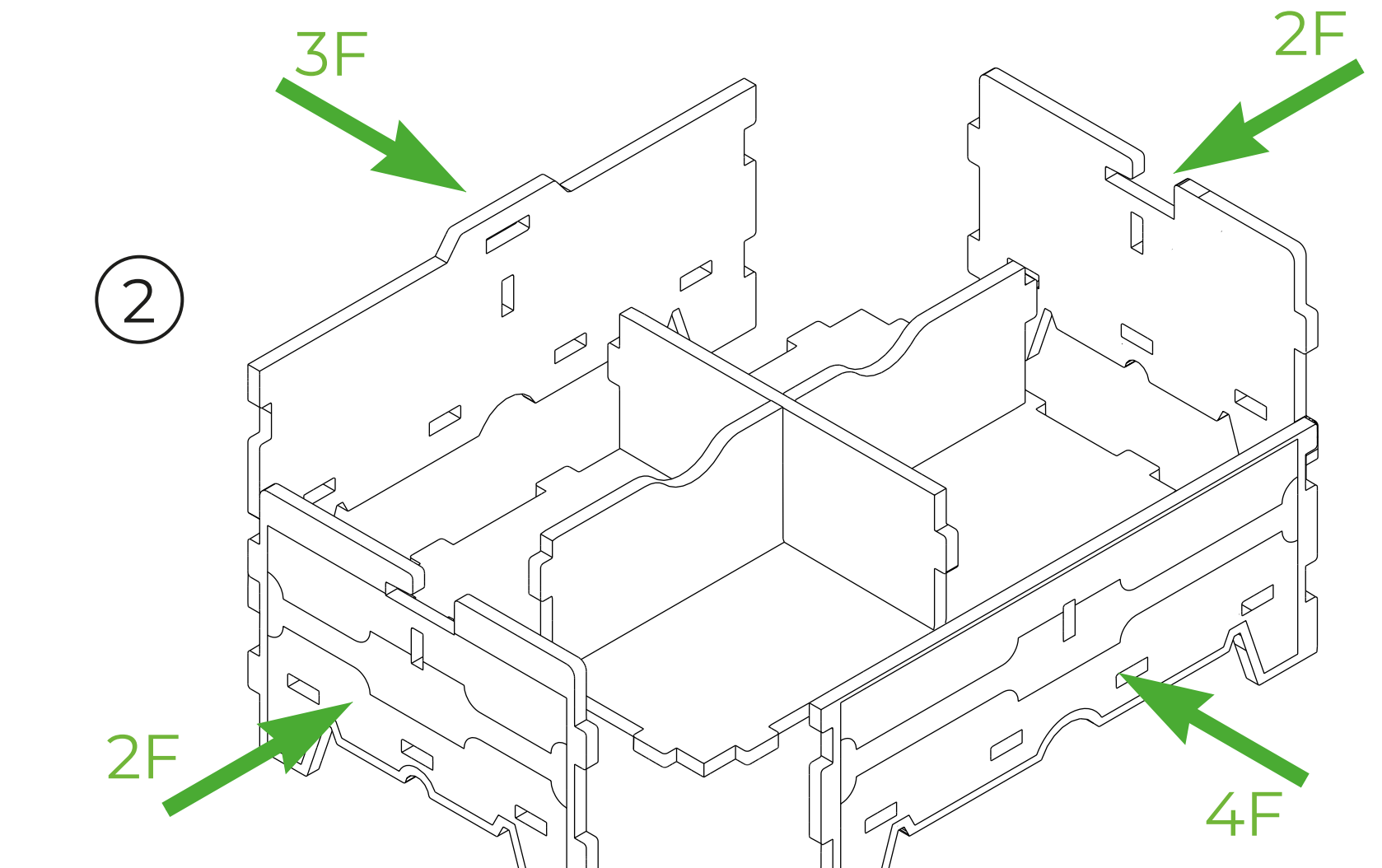
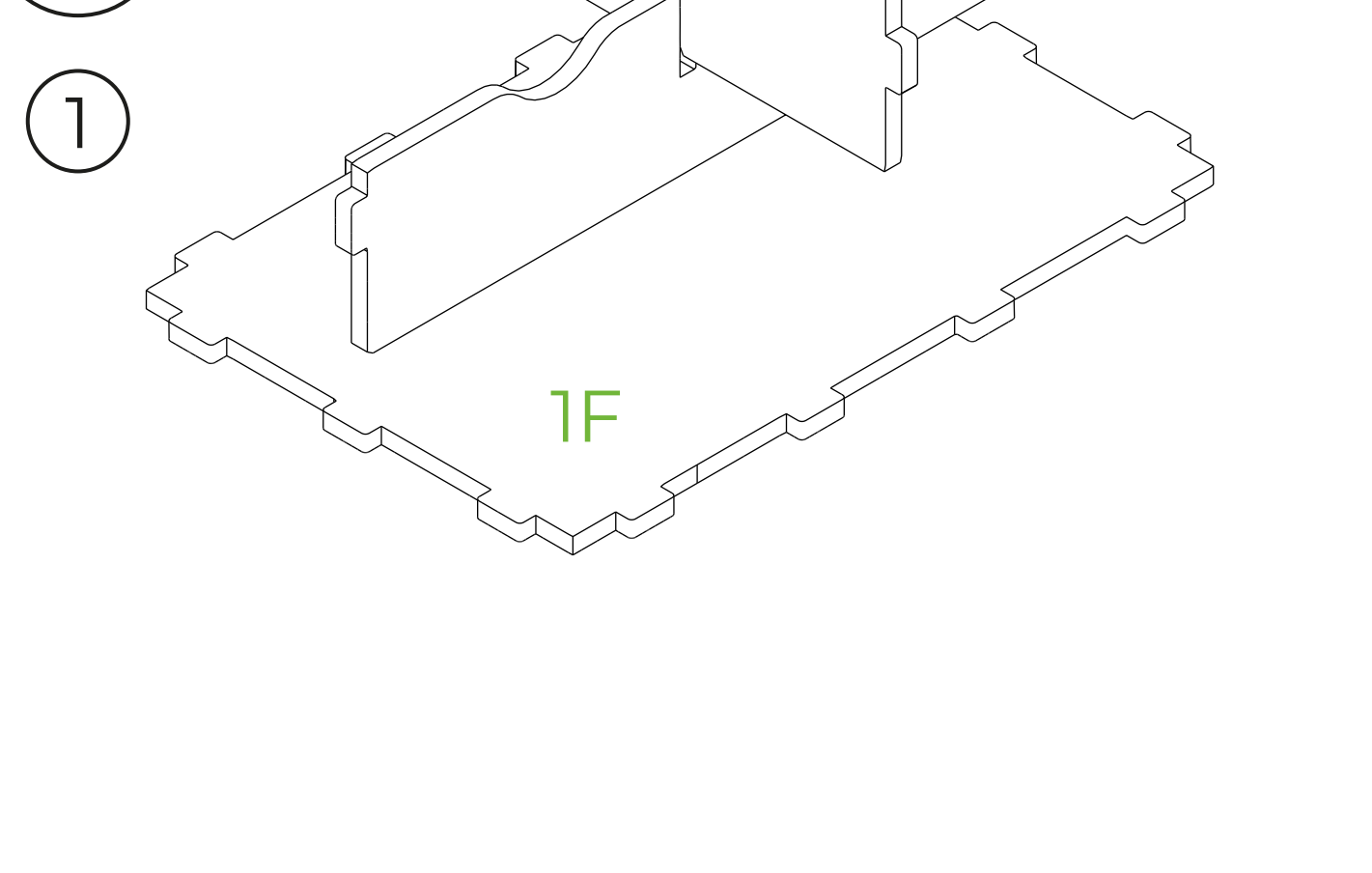
(C)



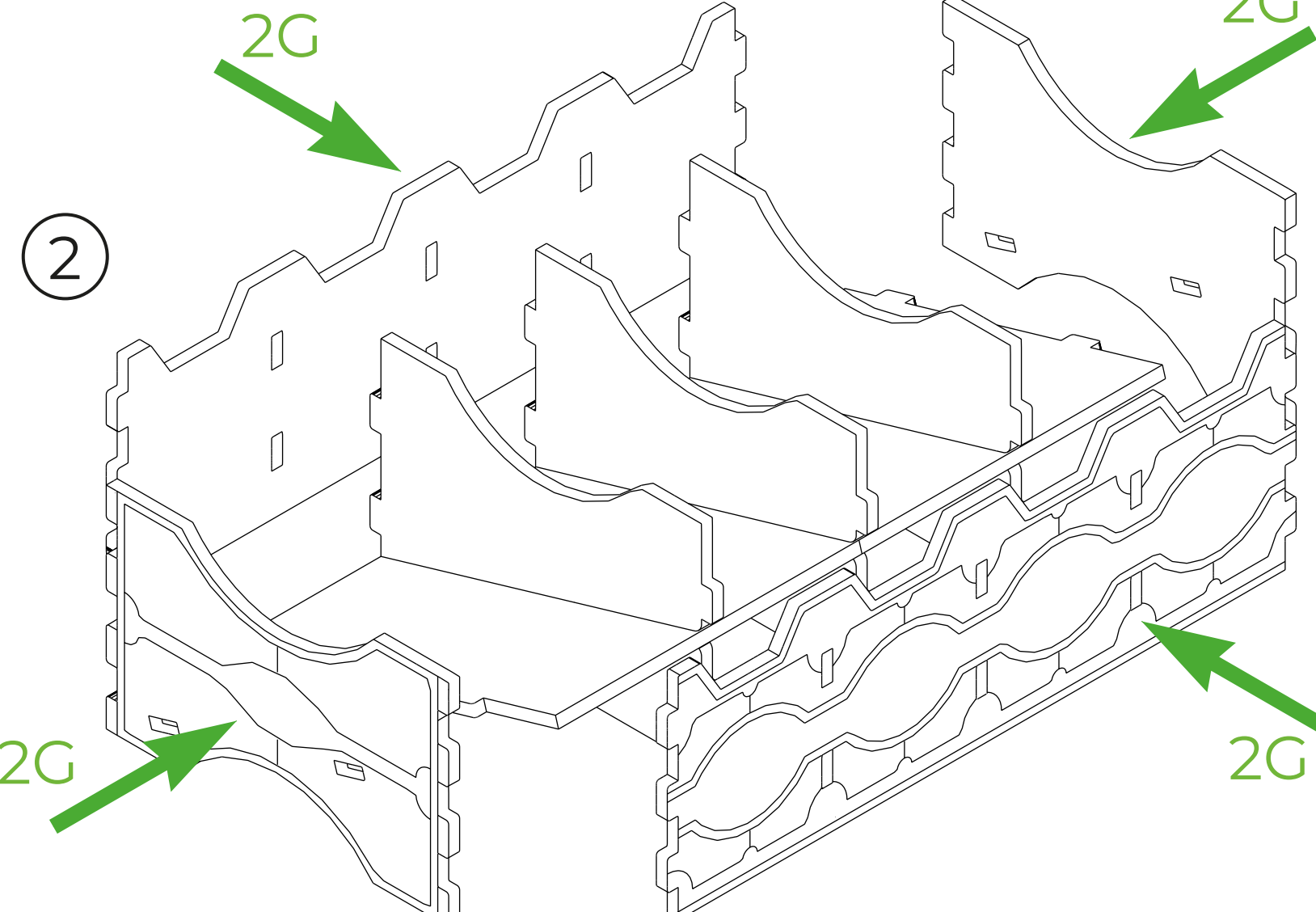
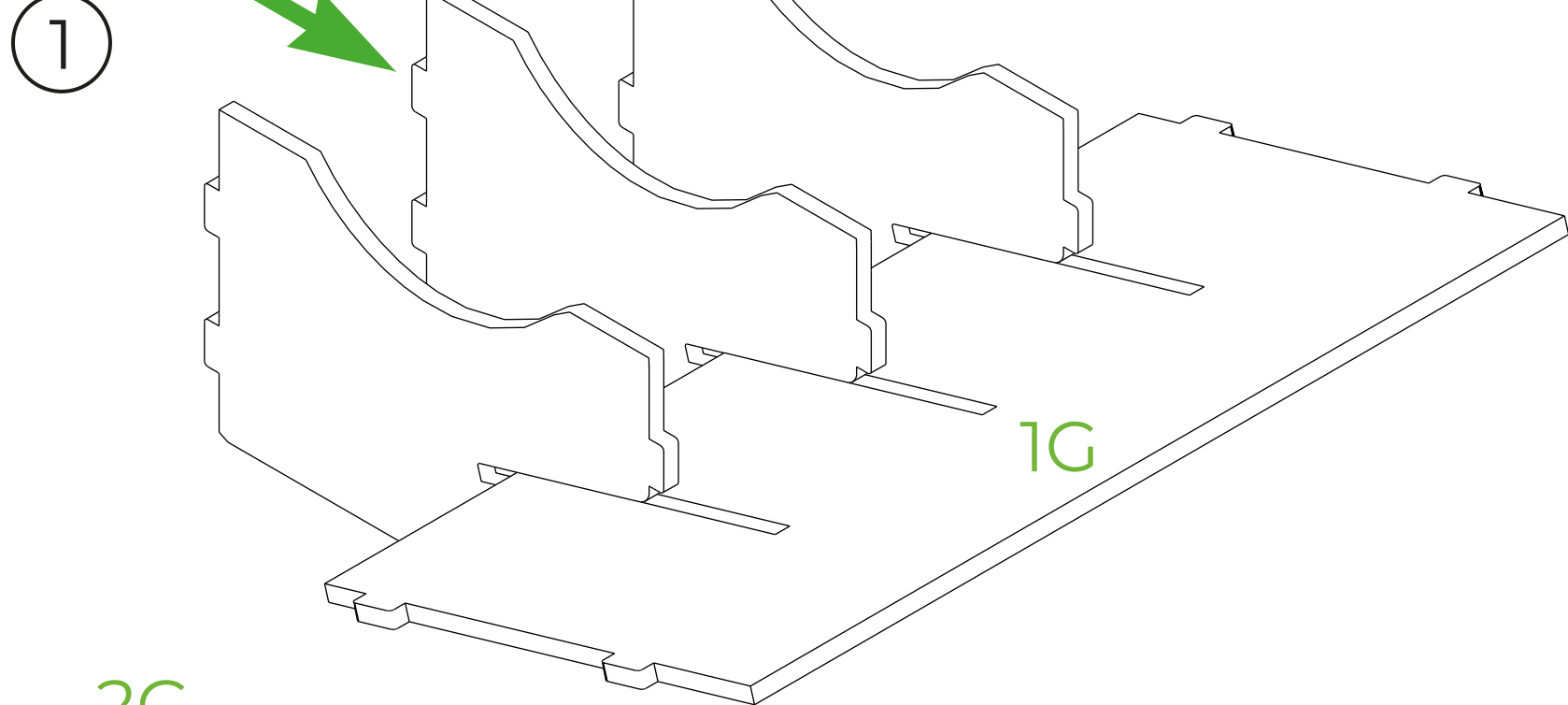
(E)



(F)



(G)



**LET'S MAKE GAMING MORE EXCITING TOGETHER!**